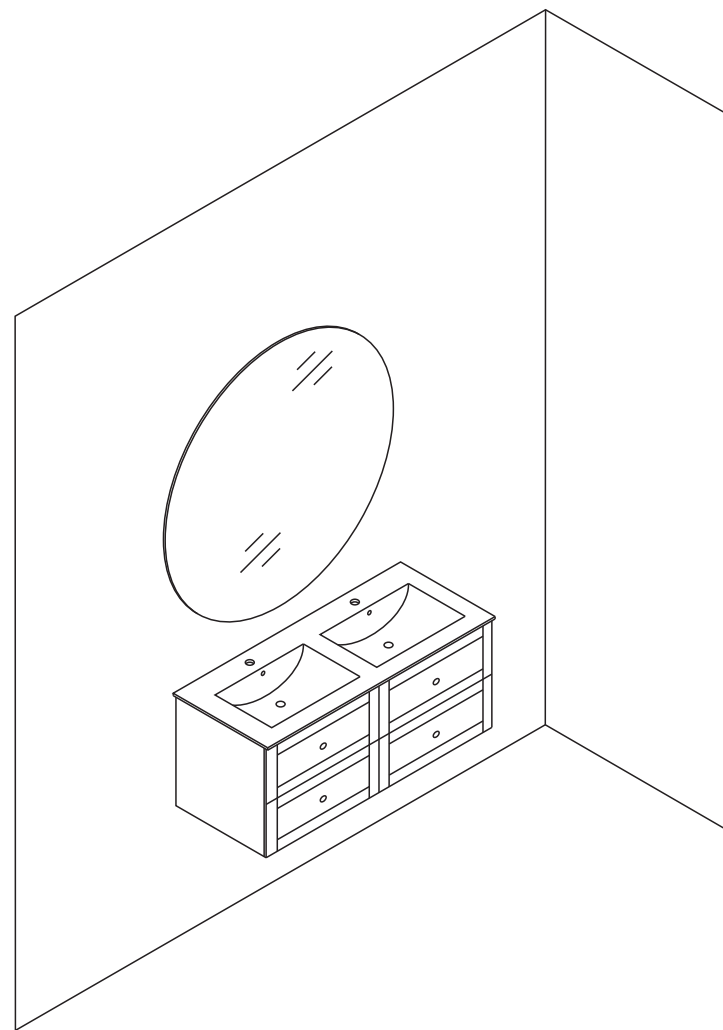
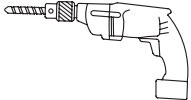
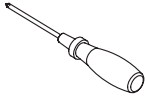
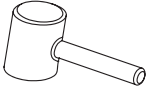


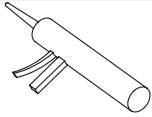
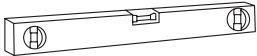


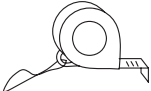

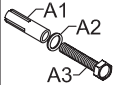
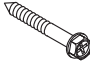

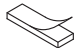


# Installation Instruction

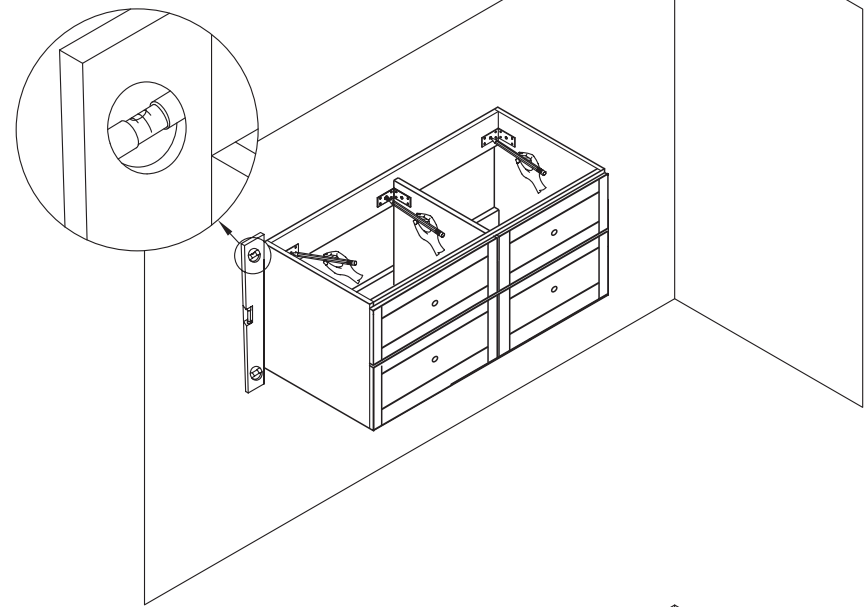
BONA706S/120



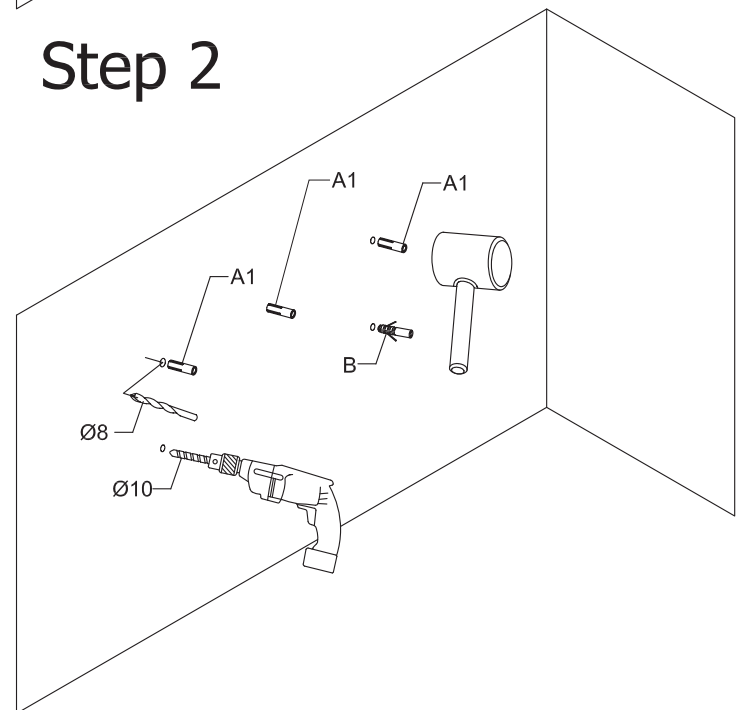
Installation tools (Not include)			
Name	Pic	Name	Pic
Electric Drill		Cross Screwdriver	
Hammer		Pencil	
Wrench		Glass Cement	
Levelling Rod		Drill 10mm	
		Drill 8mm	
Tapeline		Drill 6mm	

Sparements							
Name	Code	Pic	Qty	Name	Code	Pic	Qty
Iron expand screw M6	A		3	Self-tapping screw (ø6*60)	C		2
Plastic expand screw ø10	B		2	Double faced adhesive tape(50mm)	F		4

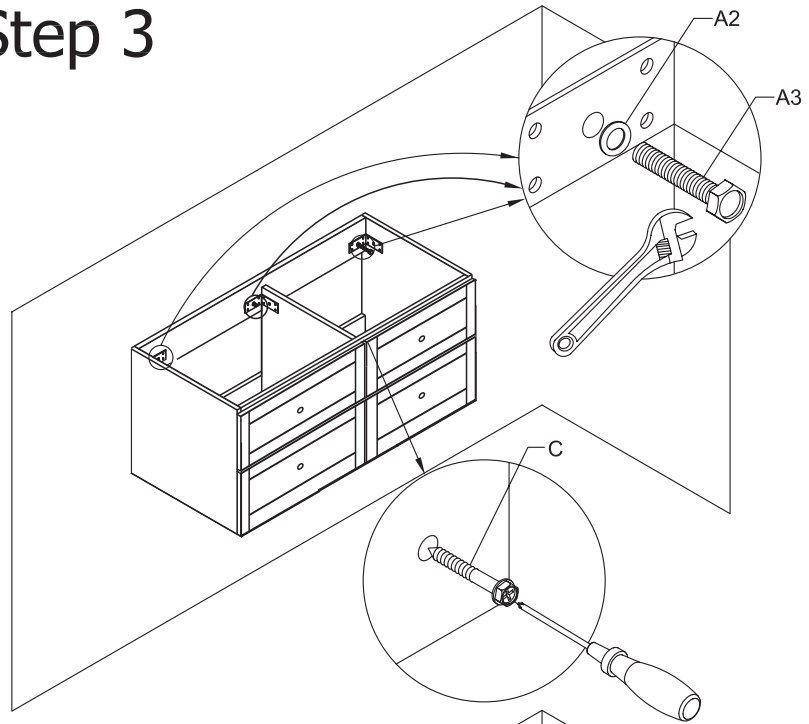
# Step 1



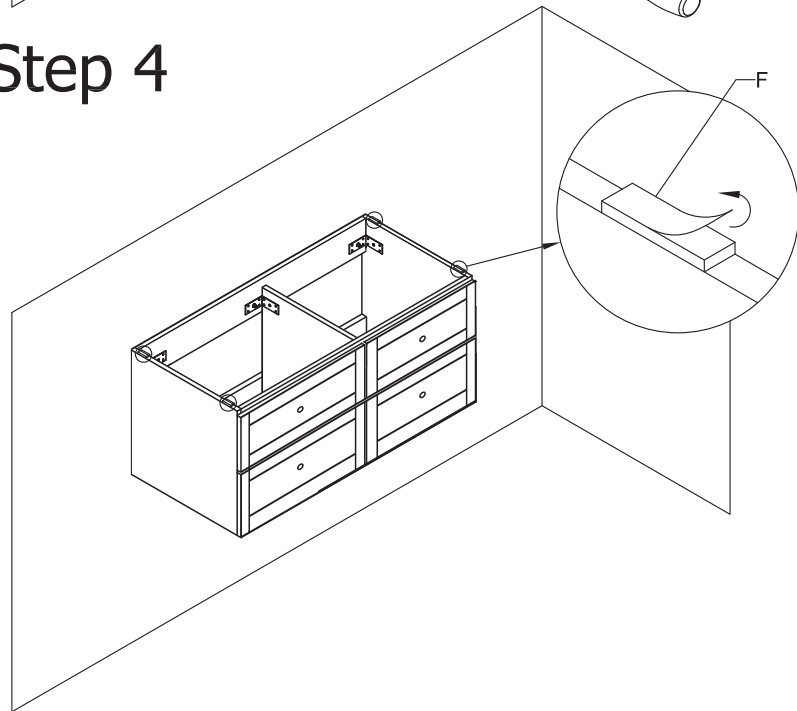
# Step 2



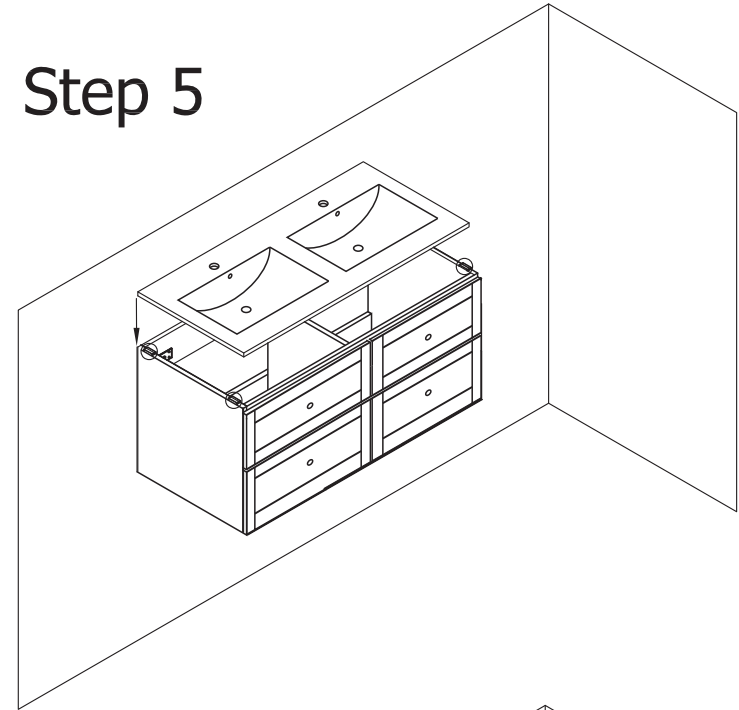
### Step 3



### Step 4



### Step 5



### Step 6

